

## FRMAC LABORATORY ANALYSIS WORKING GROUP UPDATE

# Lab Analysis Working Group Update

INNOVATE. COLLABORATE. DELIVER.

## Programmatic Improvements and Training Development


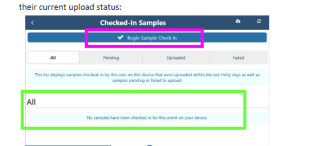
- Increased depth in responders through training and drills
- Updates to Job Aids and Training complete
- New LA Manual Vol. 1 (Doctrine) final draft ready for signatures by interagency
- Draft Vol. 2 (Tactics and Procedures) in the works

**Job Aid – Sample Receiving**

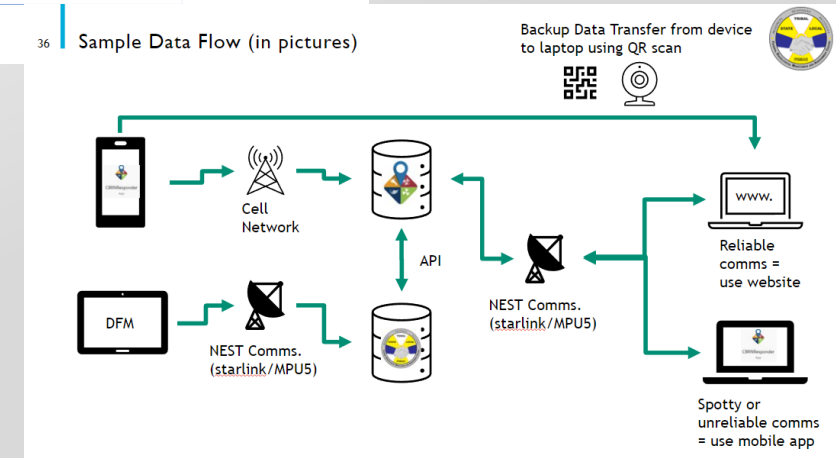
batch will appear in the main list of all sample check-ins for the event. All the samples in the batch will be given a status of "received" and a location status of "sent to storage". Place the samples in the appropriate box per instruction from the Deputy Manager.

**Mobile Application Sample Check-In Mode**

This is a windows mobile application (available on the microsoft store) for use as a backup if communications are spotty or unreliable at the hotline. This mobile app allows for sample processing and stores data locally until connection is restored. Should the browser be too slow to effectively process field teams through the hotline, resort to using this mobile hotline application by following these steps.

1. Select the "Sample Check In" option to be brought to the check-in page:  

2. You will be presented with the ability to check-in samples and view samples that have been checked in and their current upload status:  


36 | Sample Data Flow (in pictures)



## Drill Activities

- **INL Live radiological drills (June 2024)**
  - Sample Control Specialists, QA Specialists, and Fly Away Laboratory, Gamma Spectroscopists
  - Lesson Learned: Standardize and train CMRT/RAP personnel on Hotline setup and operations so it runs the same every time
  - Lesson Learned: Standardize sample preparation for Air Filter and Smear samples in the Fly Away Lab
- **RAP Regional Drill 2024 – Oklahoma City**
  - Sample Control Specialists, Deputy Lab Manager, Lab Manager
  - Lesson Learned: Need to develop CBRNResponder permissions checklist for event owners when RAP/CMRT comes into the picture
  - We made the news!
  - <https://www.koco.com/article/ok-authorities-train-radioactive-disaster/61561850>

## Current Joint EPA/FRMAC FEMA-NIRT Projects

- New CBRNResponder mobile sample hotline check-in application (Available Now!)
  - Streamlined sample check-in process
  - Ability to work in periodic offline or low-bandwidth environments
  - Capability mirrored on website to reduce training burden for offline and online use
- Ground deposition sample analysis method round robin
  - Round Robins complete, data analysis underway and report in the works
- New project underway: Pre-planned analytical strategies for sampling and analysis

# Nuclear Incident Response Self-Paced Learning Opportunities



## AS-100: Introduction to Assessment Science

24 ABHP CECs

- 22 module course covering FRMAC Assessment methods for public protection, worker protection, and ingestion pathway [PNNS-KDXC](#)

## Turbo FRMAC Advanced Methods

1 ABHP CEC each

- Administration of Potassium Iodide Derived Response Level Calculation [OMXL-NMBV](#)
- Analytical Action Level Calculation [HZAK-EWAX](#)

## LA-050: Support Laboratory Briefing

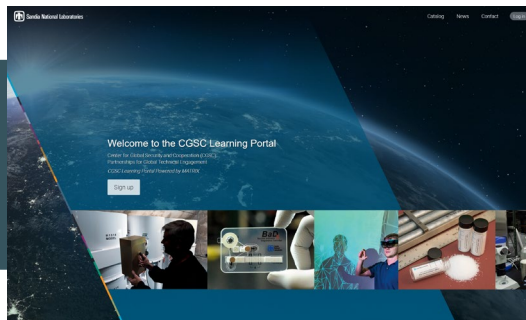
- What labs should expect when called to help FRMAC [CMOT-EKHS](#)

## LA-075: Laboratory Data Reporting (Sept 2024)

- Detailed walkdown of data reporting in CBRNResponder

## Gamma Spectroscopy Fundamentals [ERXF-ZREQ](#)

- Detector Calibration Methods
- Sample Analysis
- Software Functions
- Mathematical Instrument Calibration
- True Coincidence Summing Corrections
- In-Situ Gamma Spectrometry



Sandia and partners have developed *free, online* training!  
Learn more: <https://snl.matrixlms.com/>